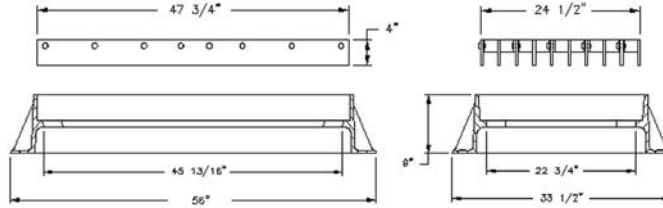


7156 INLET FRAME & GRATE

Heavy duty
 Uses 7158 galvanized reticuline steel grate

- Options
 Bolted assembly
 Iron grates
 Adjusting frames



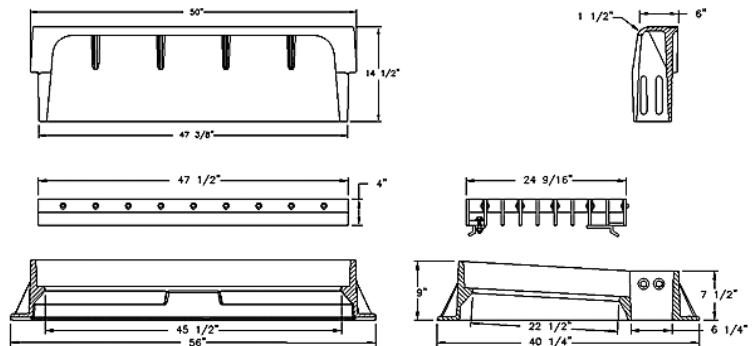
7158 CURB & GUTTER INLET

Heavy duty
 Uses galvanized reticuline steel grate

- Options
 Bolted assembly
 T1 low profile back
 "DUMP NO WASTE!" lettering
 Iron grate
 Adjusting frame



Illustrating 7158 with T1 back and steel reticuline grate



Supplied By:



877-903-7246

www.trenchdrainsupply.com